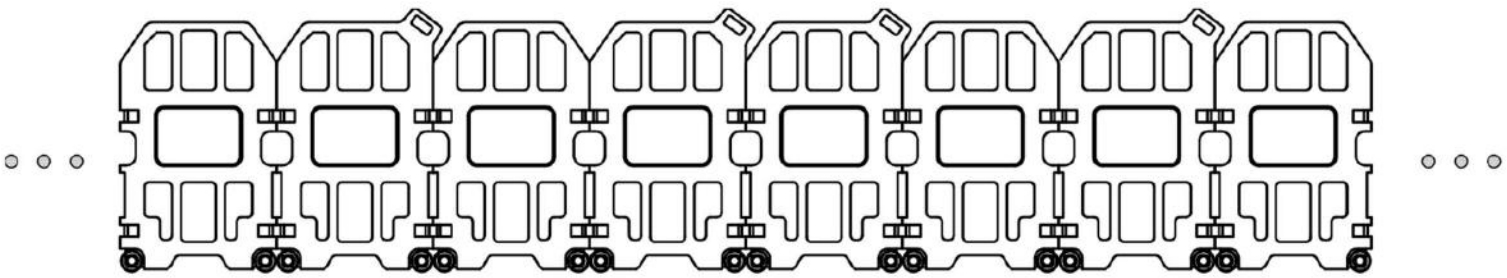
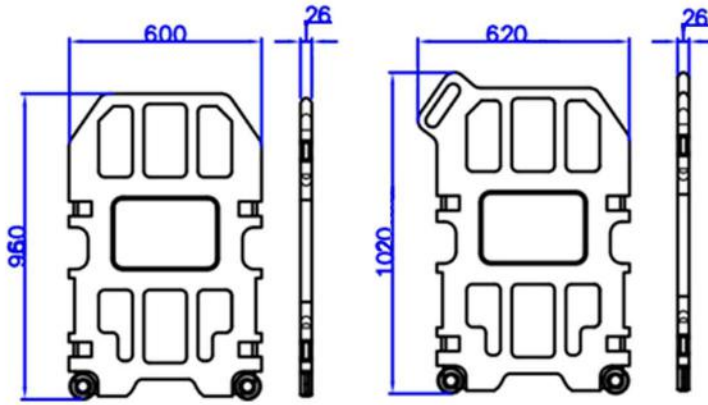


# LB-SB0401



## Four Pieces a Set (LB-SB0401)

### Dimensions:

One Piece (Holder) : 1020mm x 620mm x 26mmm

One Piece (No Holder) : 960mm x 600mm x 26mmm

### Specification:

Material: 100% HDPE

Working Temp.: -60°C ~ 70°C

Net Weight: 6.5kg

Package: 2sets/carton

Easily folded and connected one by one to meet the length demand.

*Printing could be customized.*